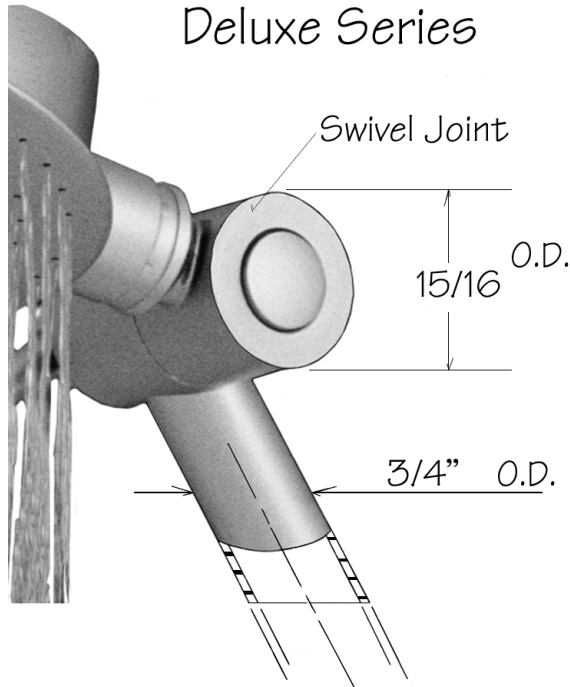
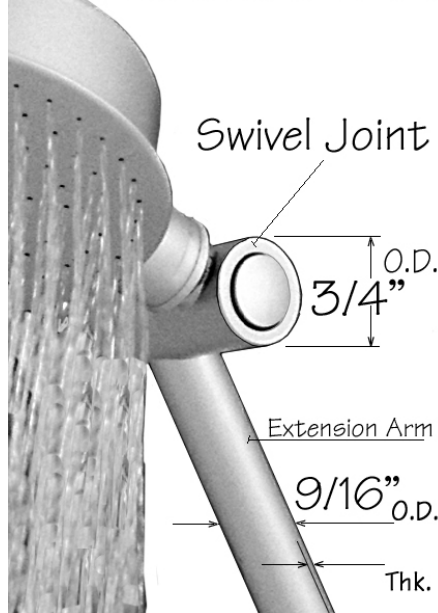


Down Under Wonder Shower

Specifications



Standard Series



Standard Series

Part #	Finish	Head Dia.	Arm Length	Tubing O.D.	Swivel O.D.
#1010	Chrome	3-1/2"	9-1/2"	9/16"	3/4"
#1020	P. Brass	3-1/2"	9-1/2"	9/16"	3/4"
#1050	Pearl Nickel	3-1/2"	9-1/2"	9/16"	3/4"
#1060	Brushed Nickel	3-1/2"	9-1/2"	9/16"	3/4"
#1070	Platinum	3-1/2"	9-1/2"	9/16"	3/4"

Deluxe Series

#2300	Chrome	3-1/2"	10-1/2"	3/4"	15/16"
#2400	P. Brass	3-1/2"	10-1/2"	3/4"	15/16"
#2500	Gold	3-1/2"	10-1/2"	3/4"	15/16"
#2700	Brushed Nickel	3-1/2"	10-1/2"	3/4"	15/16"
#2800	Pearl Nickel	3-1/2"	10-1/2"	3/4"	15/16"
#2900	Platinum	3-1/2"	10-1/2"	3/4"	15/16"

Deluxe XL Series

#2300XL	Chrome	4-1/4"	12-1/2"	3/4"	15/16"
#2400XL	P. Brass	4-1/4"	12-1/2"	3/4"	15/16"
#2500XL	Gold	4-1/4"	12-1/2"	3/4"	15/16"
#2700XL	Brushed Nickel	4-1/4"	12-1/2"	3/4"	15/16"

Differences in the three Wonder Shower Series:

Standard Series: lighter duty, lower cost model - using smaller dia. swivel joint materials, extension arm is shorter using smaller dia, thinner walled brass tubing

Deluxe Series: Use same size head with 20% larger diameter materials, 1" longer extension arm

Deluxe XL Series: 25% larger diameter head, same size materials as Deluxe Series Extension arm is 2-1/2" longer than Deluxe Series

All Wonder Showers are made of solid brass materials, machined then hand polished to bright mirrored finish before electroplating different color finishes.

All Brass Wonder Showers are sprayed with a protective clear coat finish to protect raw brass from oxidizing and discoloring. Some minor imperfections may be seen in brass finish as they are a part of the natural brass material.

All Wonder Showers are shipped with a 2.5 GPM Flow Restrictor